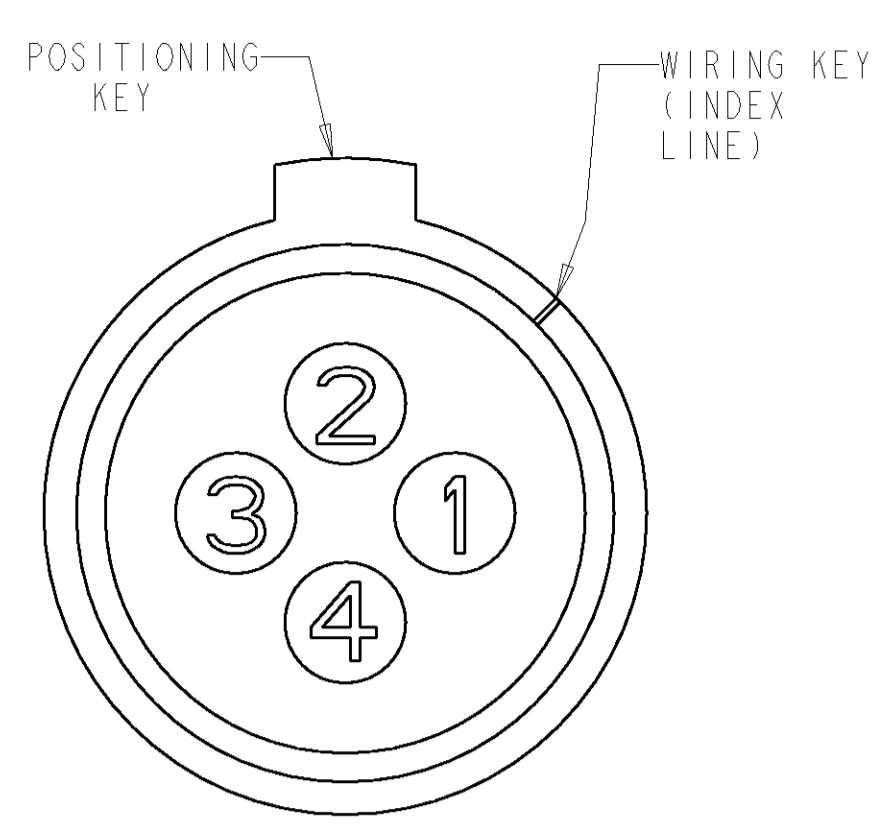
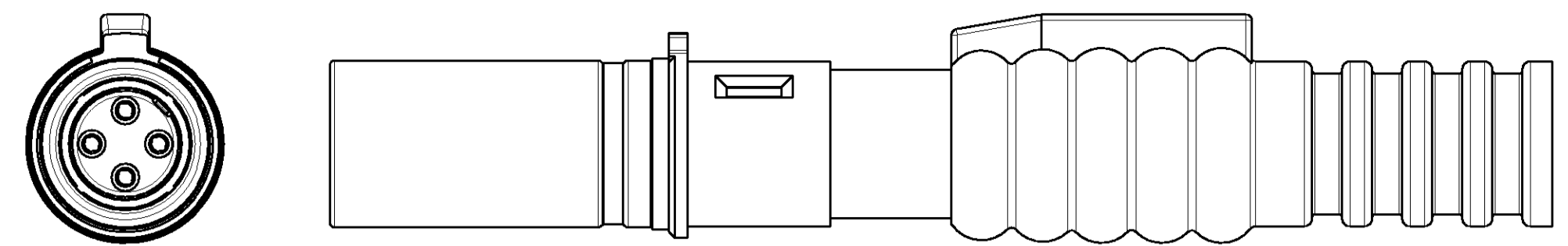


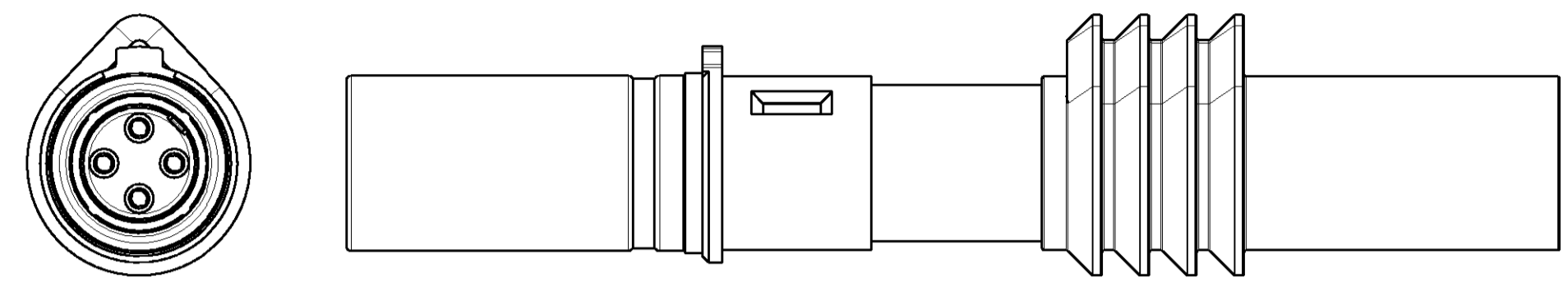
LOC		DIST		REVISIONS			
DF	A5	P	LTR	DESCRIPTION	DATE	DWN	APVD
		G		REV PER ECR-05-18330	23DEC053	BH	RW



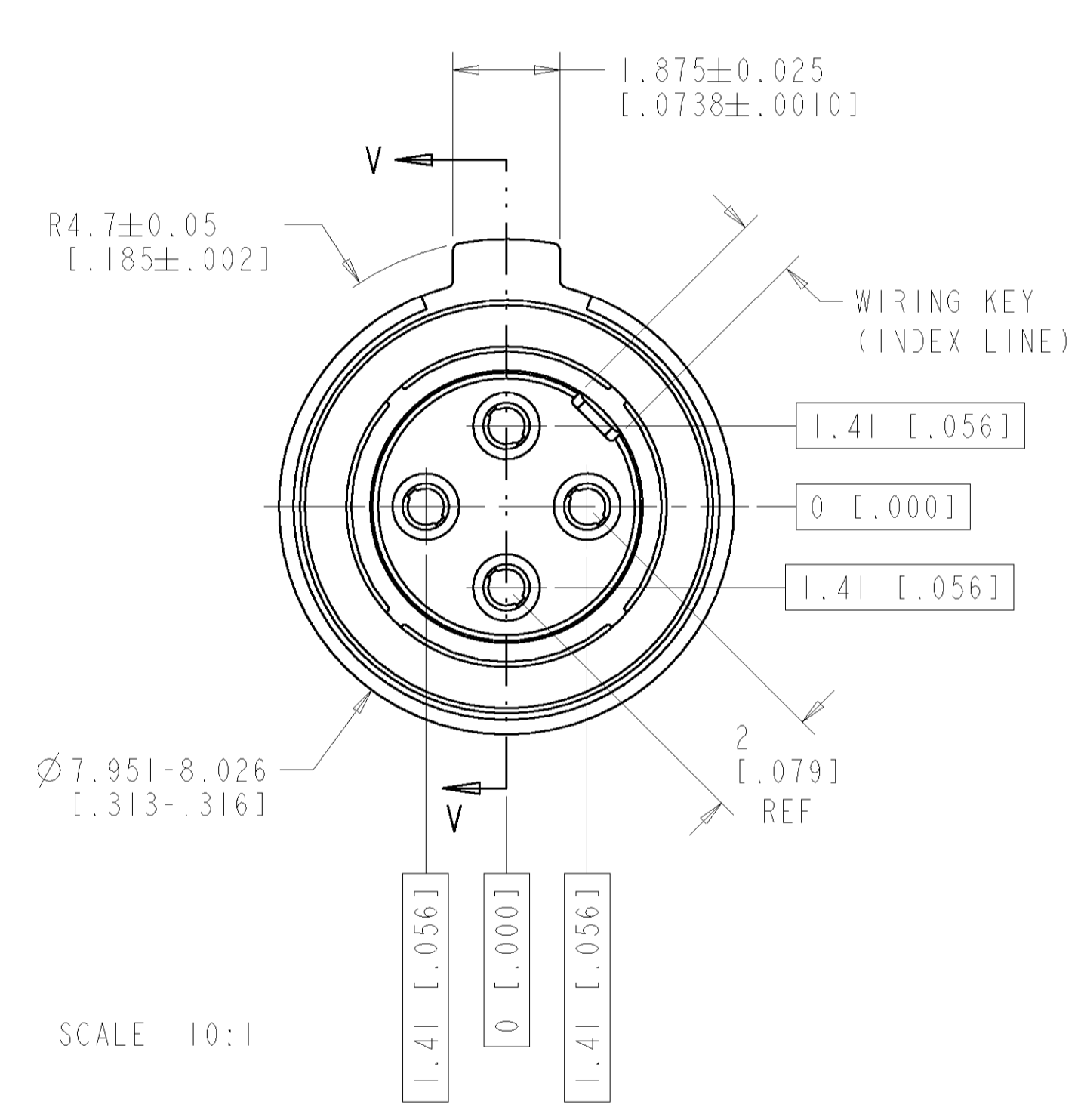
MATING FACE VIEW
 CONTACT CAVITY NUMBERING
 STANDARD CAVITY NUMBER ASSIGNMENT



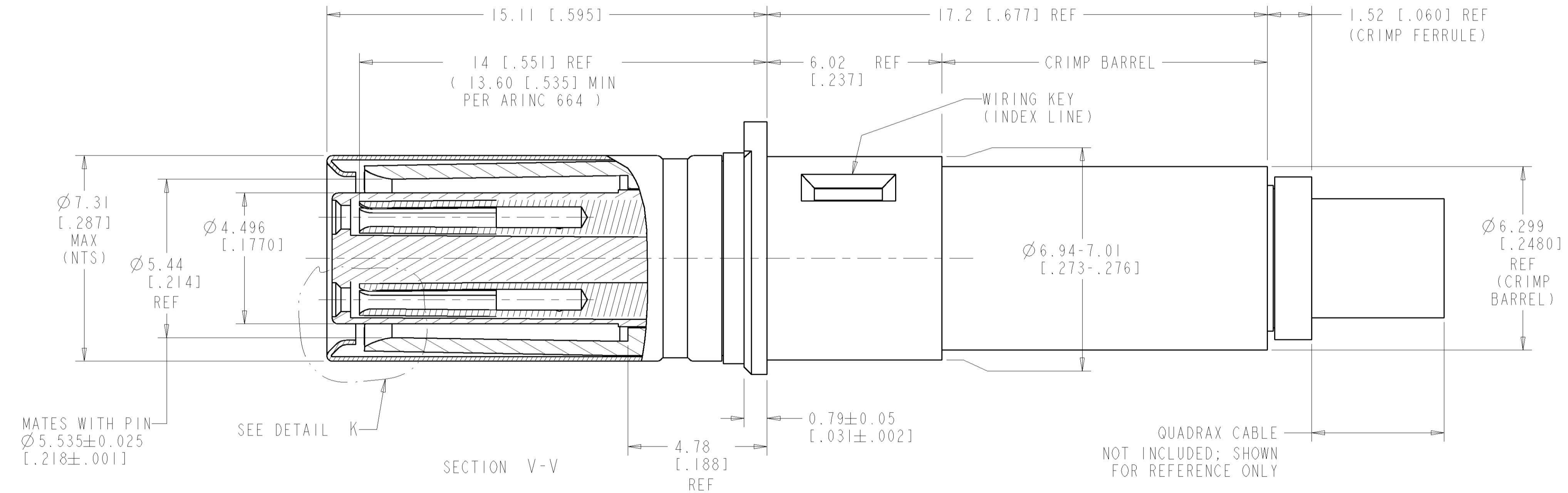
1445693-2
 SCALE 4:1



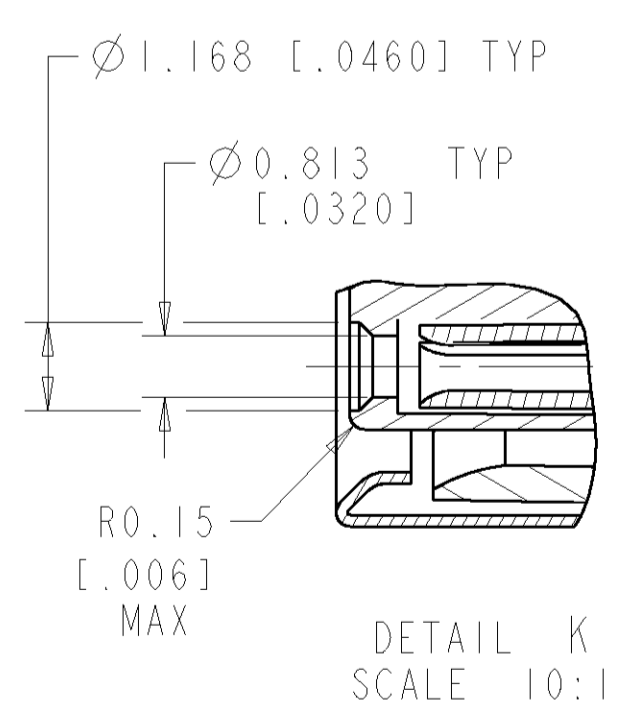
1445693-3, -4 & -5
 SCALE 4:1



SCALE 10:1



MATES WITH PIN
 $\varnothing 5.535 \pm 0.025$
 $[\pm 0.218]$



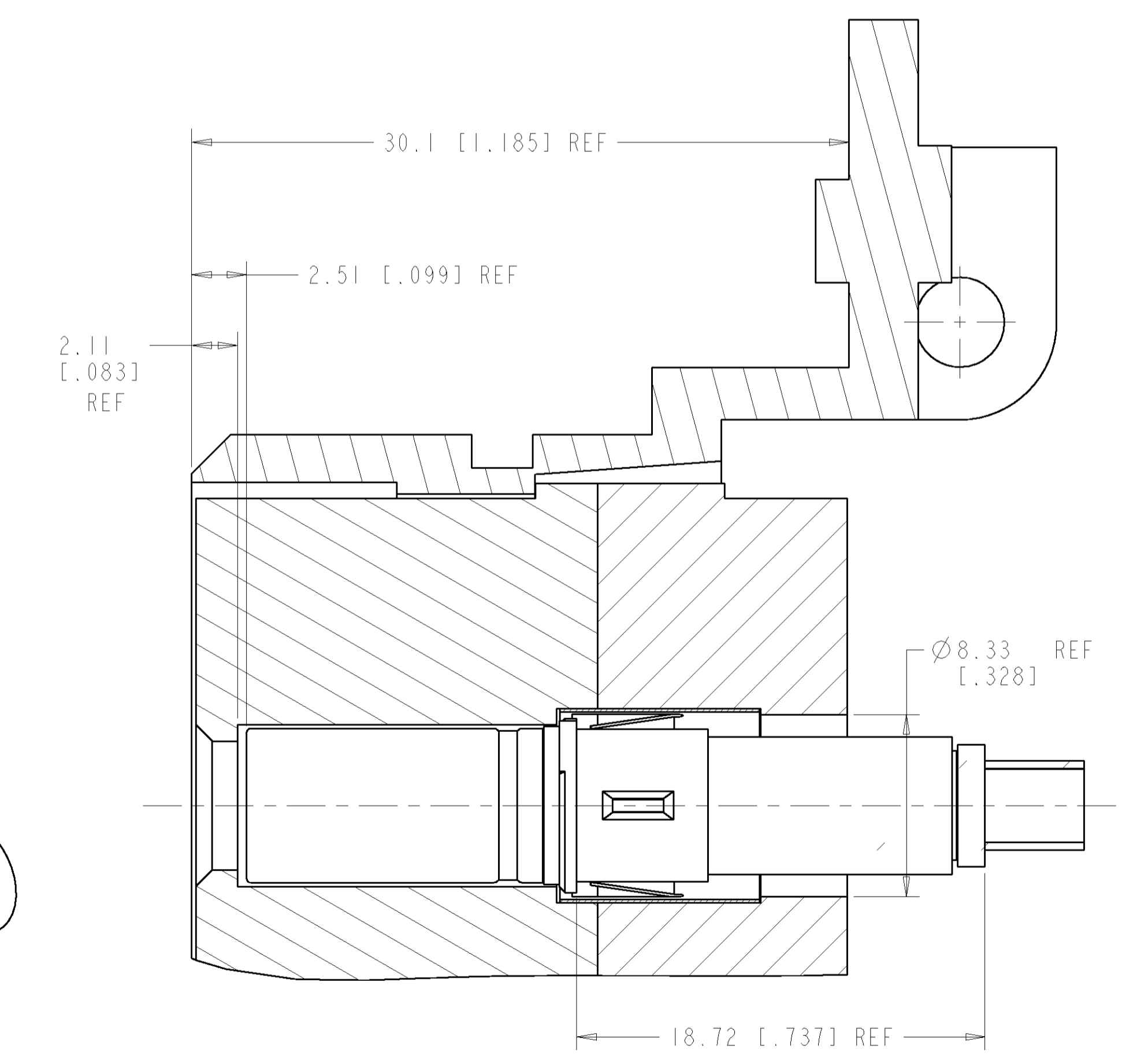
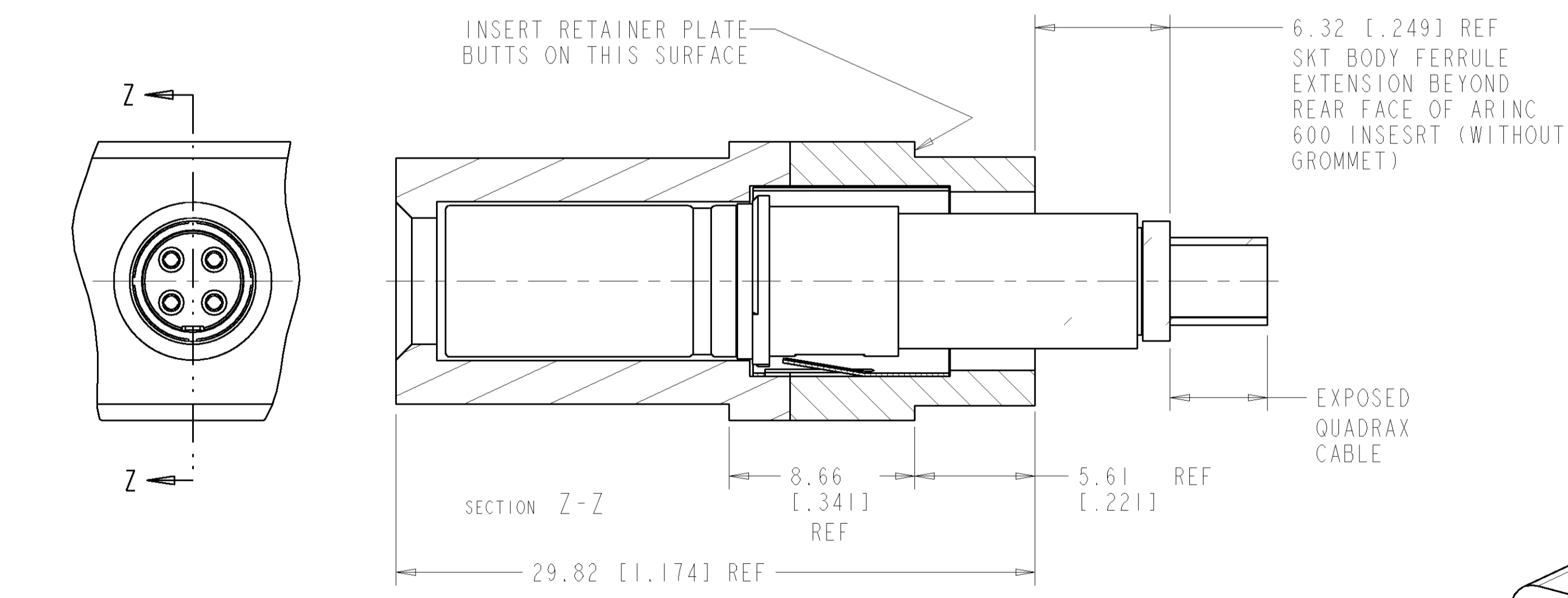
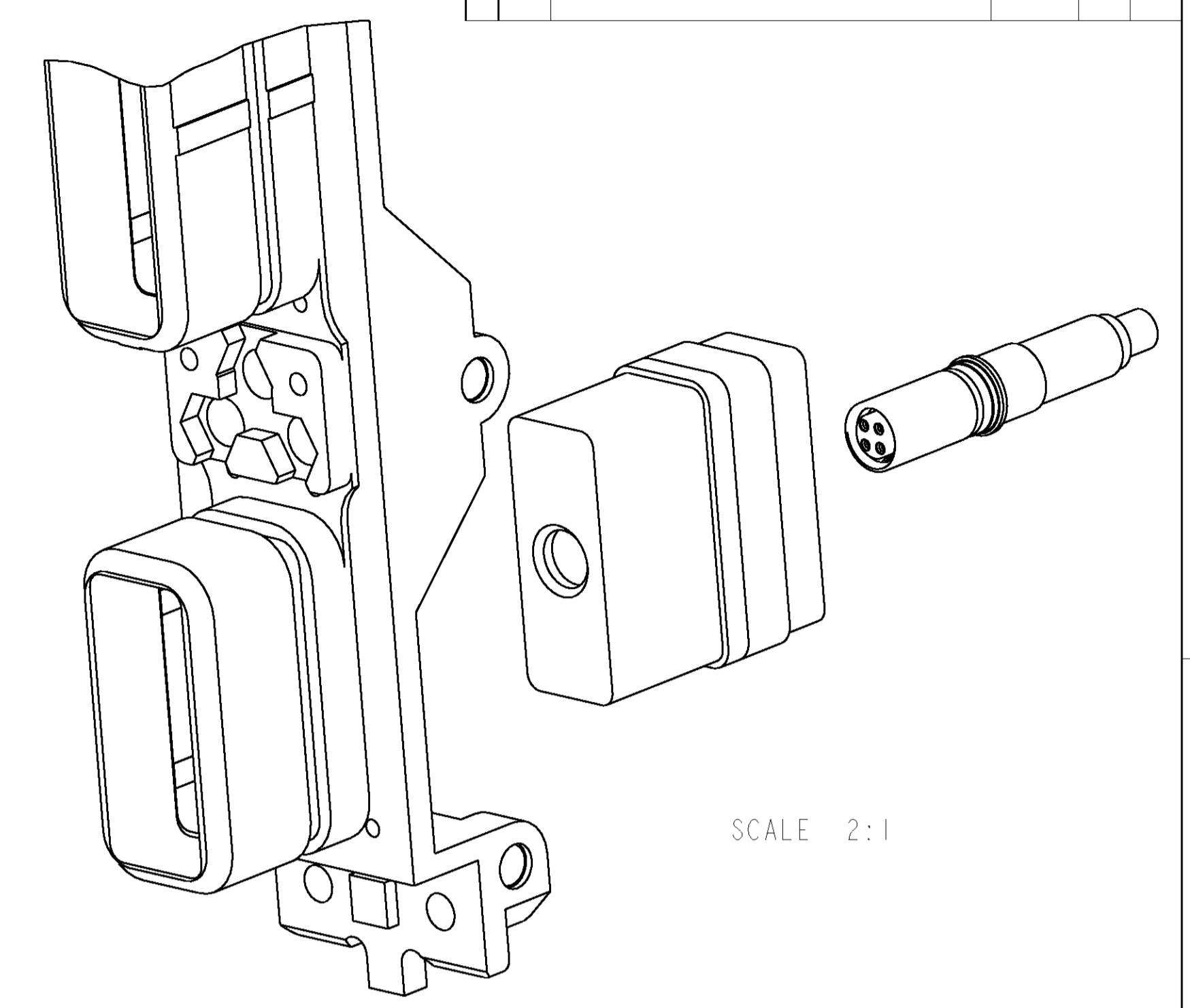
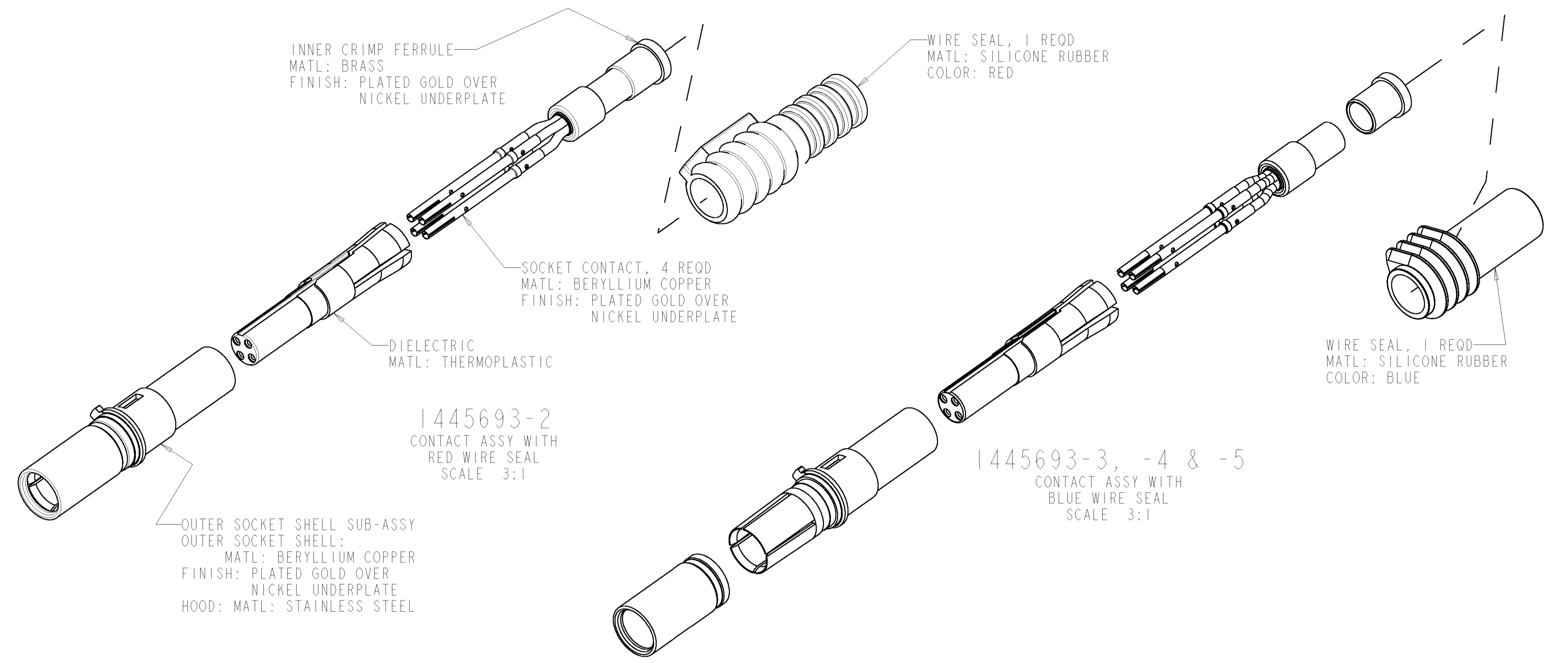
DETAIL K
 SCALE 10:1

- COMPONENTS ARE PACKAGED IN KIT FORM. CABLE MUST BE PURCHASED SEPARATELY.
- ASSEMBLY PER APPLICATION SPECIFICATION 114-13123.
- USE INSERTION-EXTRACTION TOOL 1738894-1.
- ▲ TENSOLITE NF240I00 OR EQUIVALENT
- ▲ DRAKA F4704-4 OR EQUIVALENT

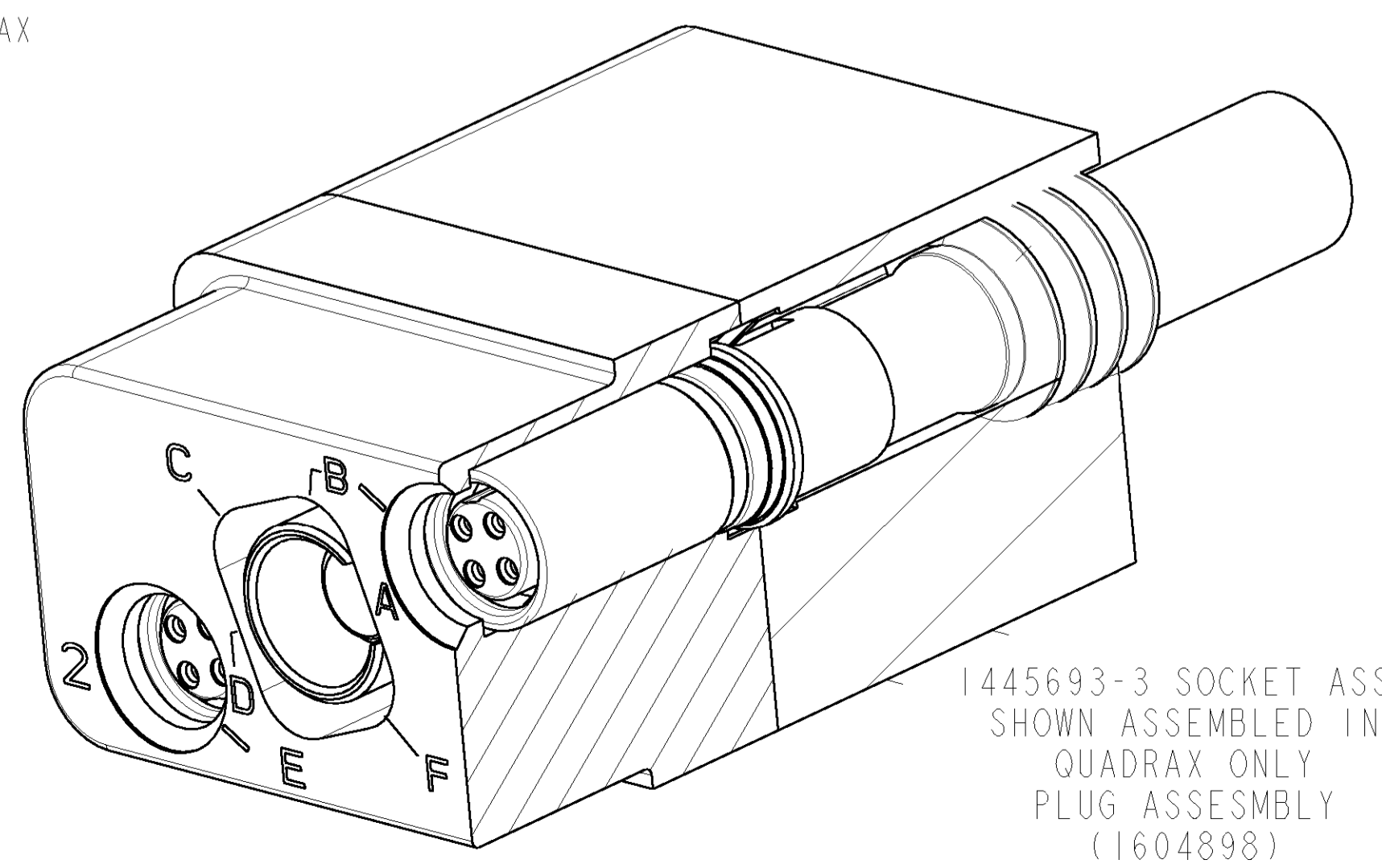
RECOMMENDED CABLE	CUSTOMER PART NUMBER	SEAL COLOR	DESCRIPTION	PART NO.
▲5	-	-	AS SHOWN WITHOUT WIRE SEAL	1445693-6
▲5	-	BLUE	AS SHOWN WITH WIRE SEAL	1445693-5
▲4	BACC47GB1	BLUE	SAME AS -1 EXCEPT WITH WIRE SEAL	1445693-4
▲4	---	BLUE	SAME AS -1 EXCEPT WITH WIRE SEAL	1445693-3
▲4	---	RED	SAME AS -1 EXCEPT WITH WIRE SEAL	1445693-2
▲4	---	--	AS SHOWN; WITHOUT WIRE SEAL	1445693-1

DIMENSIONS: mm [INCH]		TOLERANCES UNLESS OTHERWISE SPECIFIED: 0 PLC ± 1 PLC ±0.2 [.008] 2 PLC ±0.13 [.005] 3 PLC ±0.051 [.002] 4 PLC ± ANGLES ±		DWN: 23 JUNE 2004 BRN: D. Cohn ECR: W.H. BERNHART APVD: W.H. BERNHART NAME: ASSEMBLY, SOCKET, QUADRAX, 2mm SQ, AIRCRAFT DATA NETWORK, RR/RR WITH SOCKET CONTACTS PRODUCT SPEC: - APPLICATION SPEC: - SIZE: CAGE CODE: DRAWING NO: RESTRICTED TO: A 00779 C=1445693 WEIGHT: - CUSTOMER DRAWING	
MATERIAL: - FINISH: -		Tyco Electronics Harrisburg, PA 17105-3608		SCALE: 2:1 SHEET 1 OF 2 REV G	

LOC	DIST	REV	DESCRIPTION	DATE	BY	APPD
DF	A5		SEE SHEET 1			



QUADRAX SOCKET ASSY SHOWN INSTALLED IN STANDARD ARINC 600, SIZE 1 INSERT WITH REAR RELEASE, REAR REMOVABLE SIZE 8 QUADRAX CAVITY



DIMENSIONS: mm [INCH]		TOLERANCES UNLESS OTHERWISE SPECIFIED: 0 PLC ± 1 PLC ±0.2 [.008] 2 PLC ±0.13 [.005] 3 PLC ±0.051 [.002] 4 PLC ± ANGLES ±		DWN: 23 JUNE 2004 BRN: D. Bernhart ECH: W. H. BERNHART APVD: W. H. BERNHART 23 JUNE 2004		tyco Electronics Tyco Electronics Harrisburg, PA 17105-3608	
MATERIAL: - FINISH: -		WEIGHT: - CUSTOMER DRAWING		NAME: ASSEMBLY, SOCKET, QUADRAX, 2mm SQ, AIRCRAFT DATA NETWORK, RR/RR WITH SOCKET CONTACTS PRODUCT SPEC: - APPLICATION SPEC: - SIZE: A1 CAGE CODE: 00779 DRAWING NO: 1445693		RESTRICTED TO: - SCALE: 2:1 SHEET: 2 OF 2 REV: G	